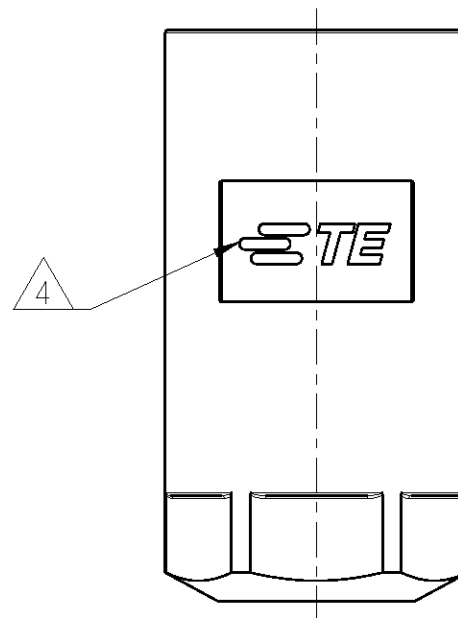
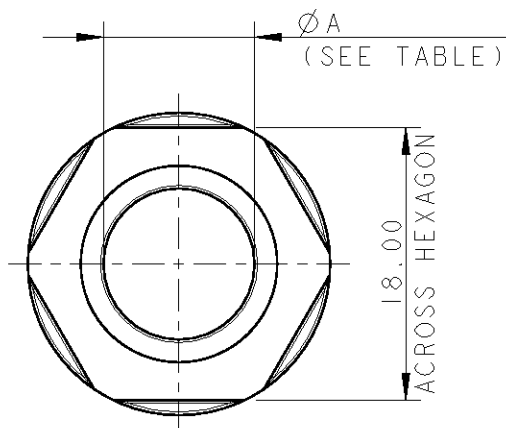


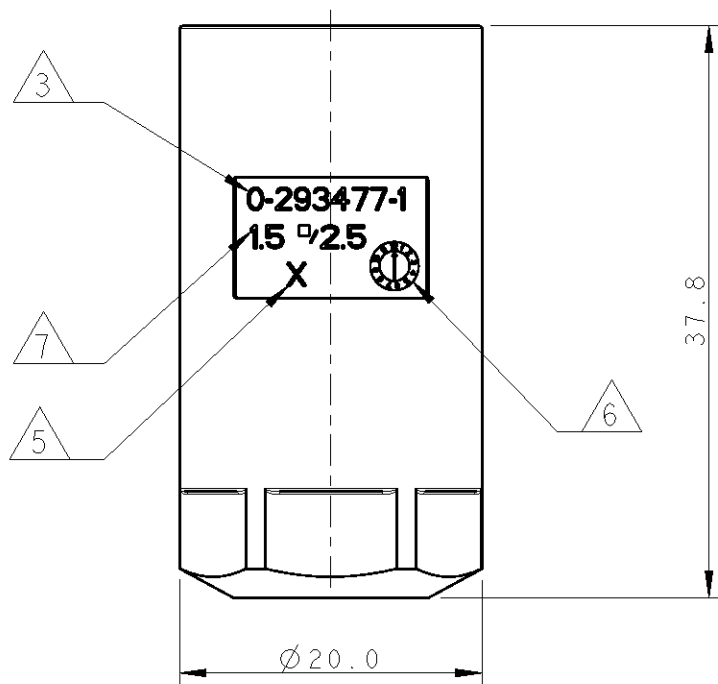
THIS DRAWING IS UNPUBLISHED. RELEASED FOR PUBLICATION 2011  
 © COPYRIGHT 2011 Tyco Electronics AMP ITALIA ALL RIGHTS RESERVED.

LOC	DIST	REVISIONS			
P	LTR	DESCRIPTION	DATE	DWN	APVD
	G	UPDATED	28JUN2011	MZ	GT
	GI	REVISED	15NOV2011	MZ	GT
	H	UPDATED	07FEB2013	MZ	JC

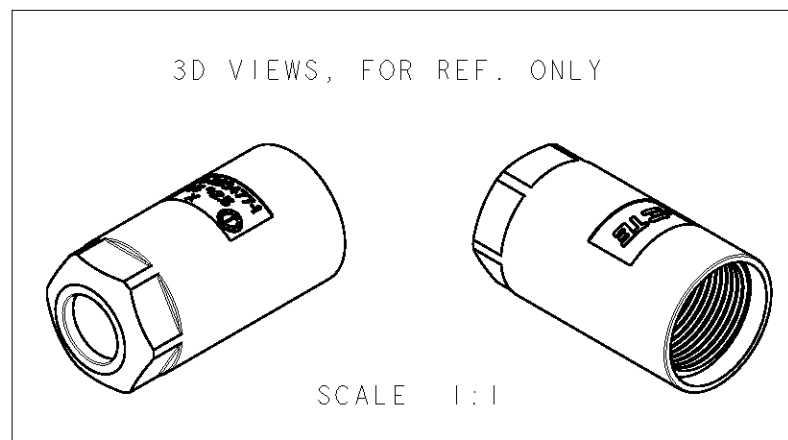


NOTES:

- 1) MATERIAL: POLYAMIDE GLASS FILLED COLOUR: SEE TABLE
- 2) PACKAGING: TBD
- 3) TE PART NUMBER
- 4) TE CONNECTIVITY LOGO
- 5) MOULD CAVITY ID NUMBER
- 6) DATA CODE
- 7) CONDUCTOR SIZE
- 8) PART NOT YET RELEASED FOR PRODUCTION

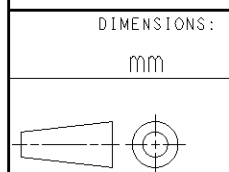


P/N 293477-1 AS SHOWN FOR REFERENCE ONLY



NOTE	COLOUR	CABLE RANGE DIA. (MIN - MAX)	ØA (mm)	CABLE TYPE	CONDUCTOR SIZE (mm <sup>2</sup> )	DESCRIPTION	REV.	PART NUMBER
8	NATURAL	T.B.D.	T.B.D.	3G	4.0	RING NUT FOR CABLE RETENTION NECTOR* M-LINE	G	1-293477-3
8	NATURAL	11.20 - 11.60	10.00	3G	2.5	RING NUT FOR CABLE RETENTION NECTOR* M-LINE	G	1-293477-2
8	NATURAL	7.90 - 8.40	8.50	3G	1.5	RING NUT FOR CABLE RETENTION NECTOR* M-LINE	G	1-293477-1
8	BLACK	T.B.D.	T.B.D.	3G	4.0	RING NUT FOR CABLE RETENTION NECTOR* M-LINE	G	293477-5
8	BLACK	7.90 - 8.40	8.50	3G	1.5	RING NUT FOR CABLE RETENTION NECTOR* M-LINE	G	293477-4
8	BLACK	12.70 - 13.00	13.10	3G	4.0	RING NUT FOR CABLE RETENTION NECTOR* M-LINE	H	293477-3
8	BLACK	11.30 - 11.60	11.70	3G	2.5	RING NUT FOR CABLE RETENTION NECTOR* M-LINE	H	293477-2
8	BLACK	9.60 - 9.90	10.00	3G	1.5/2.5	RING NUT FOR CABLE RETENTION NECTOR* M-LINE	H	293477-1

THIS DRAWING IS A CONTROLLED DOCUMENT.



DIMENSIONS:	TOLERANCES UNLESS OTHERWISE SPECIFIED:
mm	
0 PLC	±-
1 PLC	±0.3
2 PLC	±0.20
3 PLC	±-
4 PLC	±-
ANGLES	±3°

MATERIAL NOTE 1 FINISH -

DWN	M. ZUCCA	20JUN2011
CHK	M. ZUCCA	20JUN2011
APVD	G. TURCO	20JUN2011

**STE** TE Connectivity

NAME: RING NUT FREE HANGING VERSION NECTOR\* M-LINE 3 POSITIONS

SIZE	CAGE CODE	DRAWING NO	RESTRICTED TO
A300779	C=293477		-

CUSTOMER DRAWING SCALE 2:1 SHEET 1 OF 1 REV H